

UNLOCK EGD EFFICIENCY

With the World's First
Single-Use Gastroscope Portfolio

Ambu® aScope™ Gastro and Gastro Large



Ambu



Ambu offers clinicians an optimal solution designed to enhance EGD workflows for endoscopy performed outside the traditional endoscopy suite. From the operating room to critical care units, our single-use gastroscope portfolio provides an ideal option for efficient and effective patient care.

KEY BENEFITS

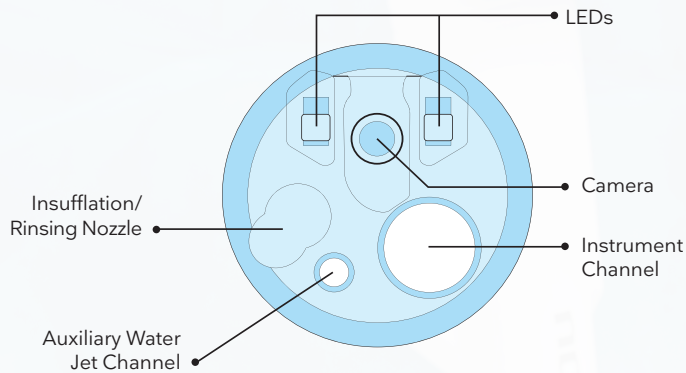
- Highly mobile system ideal for tight spaces and 24/7 on-the-go use
- Ready anytime, anywhere
- 90% higher suction than the newest 3.7 mm therapeutic gastroscope*
- First endoscope made with bioplastics, elevating sustainability standards
- Achieve EGD simplicity in satellite and LTAC facilities

SPECIFICATIONS

Insertion Tube	Gastro	Gastro Large
Distal Tip Outer Diameter	9.9 mm	11.5 mm
Working Length	103 cm	103 cm
Bending Section	Gastro	Gastro Large
Angulation (Up/Down/Left/Right)	210°/90°/100°/100°	210°/120°/100°/100°
Endoscope Channels	Gastro	Gastro Large
Working Channel Inner Diameter	2.8 mm	4.2 mm

ORDERING INFORMATION

Scopes	Item No.	Quantity
aScope Gastro	483001000US	6/box
aScope Gastro Large	582101000 (US version)	6/box
Display Unit	Item No.	Quantity
aBox 2	505001000	1
Carts	Item No.	Quantity
aCart Plus	KU.9740.800	1
aCart Compact	KU.9713.800	1



For more information, please visit ambuUSA.com/single-use-gastroscope or contact your local Ambu representative.

Ambu FOREVER FORWARD

6721 Columbia Gateway Drive
Suite 200
Columbia, MD 21046
Tel. 800 262 8462
Fax 800 262 8673
ambuUSA.com

*Data on File

US: Rx only